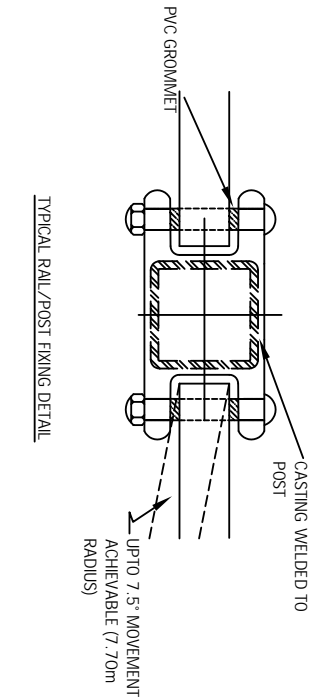
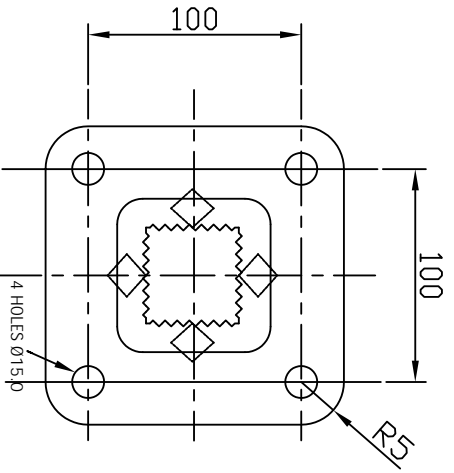


ELEVATION ON RAILING



TYPICAL RAIL/POST FIXING DETAIL



SECTION THRU RAILING

ENLARGED BASEPLATE PLAN

copyright note: the property of bridge parapets Ltd. the
 this drawing has been prepared and issued
 without written permission from bridge parapets Ltd.

NOTES

MATERIALS
 POST AND RAILS IN ALUMINIUM ALLOY 6082T6. POST CASTINGS
 IN ALUMINIUM ALLOY LM6M. ALL TO BS7818 TABLE 7.

FINISH
 EXTRUSIONS - MILL FINISH
 CASTINGS - AS CAST

1) POST/RAIL BOLT FIXING TO BE 100 STAINLESS STEEL GRADE
 A4-50 MINIMUM WITH PLAIN WASHER AND NYLOC NUT.

BASEPLATES

UNDERSIDE OF POST BASEPLATE TO BE GIVEN AT LEAST TWO
 COATS OF AN ALKALI RESISTANT BITUMINOUS PITCH OR PAINT
 COMPLYING WITH BS3416.

B	03/04/03	TEXT FORMAT ALTERED AND BORDER ALTERED	
A	18/12/01	AMENDED TO TAKE ACCOUNT OF COMMENTS	
REV.	DATE	AMENDMENT	

BRIDGE PARAPETS LTD

TOMICH INDUSTRIAL ESTATE, HAIR OF GON, ROBE-RIE, SCOTLAND IV6 7UA
 TEL: +44 (0) 1463 870194. FAX: +44 (0) 1463 870667
 EMAIL: SALES@BRIDGEPARAPETS.COM WEB: WWW.BRIDGEPARAPETS.COM

DRAWN	CM	CHECKED	DM
DATE	11/02/01	SCALE	N.T.S.

TITLE
 DETAIL OF SPECIAL ALUMINIUM HANDRAIL
 (CAST BASEPLATE)

DRAWING NUMBER
 BPL/001/19