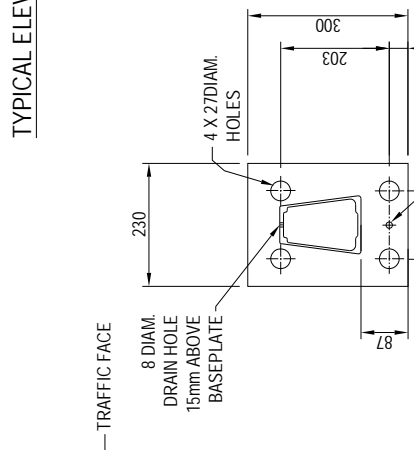
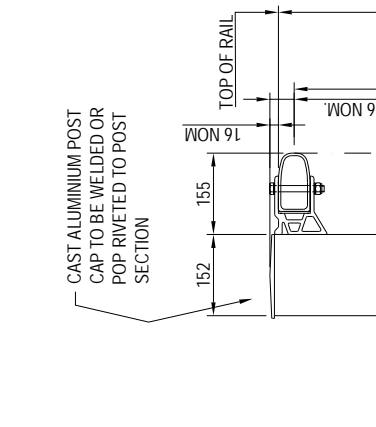
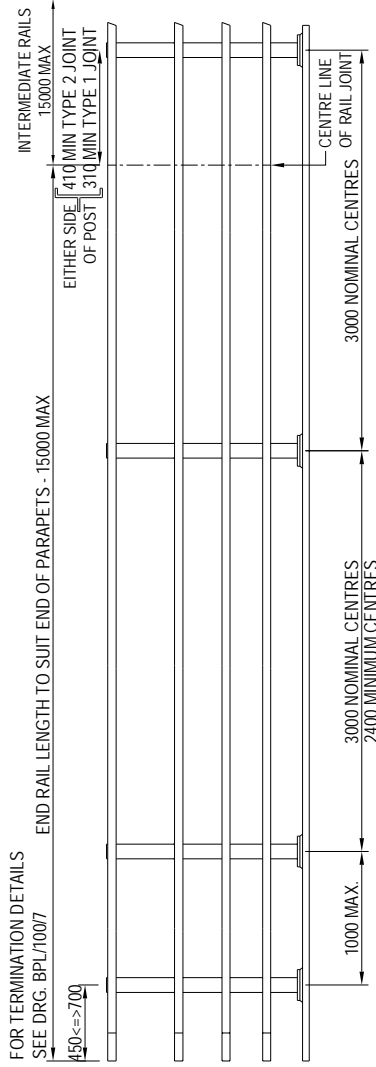


SYSTEM & COMPONENTS ARE COVERED BY DESIGN REGISTRATION & PATENT APPLICATIONS.

copyright note: this property of bridge parapets ltd. the contents of this drawing may not be reproduced without written permission from bridge parapets ltd.



BS6779 AND BS EN 1317 PARTS 1 & 2	
ULTIMATE UNFACTORED DESIGN WORKING STRESS OF POST AT EXISTENT SHEAR (KN)	= 28.07
CO-EXISTENT SHEAR (KN)	= 49.24
ULTIMATE SHEAR FORCE RESISTANCE OF POST (KN)	= 128
BS EN 1317 PARTS 1 & 2	
TEST DESIGNATION	= TB32 + TB11
CONTAINMENT LEVEL	= N2
WORKING WIDTH RANKING	= W4
IMPACT SEVERITY LEVEL	= A

DESIGNED AND TESTED TO MEET THE REQUIREMENTS OF EN 1317 PARTS 1 & 2, & BS6779 PART 1

PARAPET SECTION - SCALE 1:10

NOTES

- 1) ALL MATERIALS AND WELDING SHALL COMPLY WITH THE RELEVANT STANDARDS.
- 2) UNDERSIDE OF BASEPLATE TO BE GIVEN 2 COATS OF FACTORY APPLIED BITUMASTIC PAINT TO BS 3416.
- 3) IDENTIFICATION PLATES TO BE ATTACHED TO MANUFACTURERS SPECIFICATION.
- 4) ALL BOLTS AND NUTS TO A4 CLASS 80 STAINLESS STEEL TO CURRENT BS/EN STANDARDS.
- 5) FOR DRG.S LIST SEE DRG. BPL/100/10 & 11
- 6) FOR INFILL DETAILS SEE DRG. BPL/100/10 & 11
- 7) ALL ALUMINIUM EXTRUSIONS TO BE 6082-T6.
- 8) RAILS CAN BE SITE/SHOP CURVED TO SUIT SPECIFIC APPLICATIONS.

REV.	DATE	AMENDMENT
F	21/02/07	MINOR UP DATES
E	04/12/02	ALTERED IN ACCORDANCE WITH 12/11/02 MEMO
D	09/04/02	RAILS AND BRACKETS ALTERED. JOINT ALTERED.
C	27/09/01	JOINT AMENDED
B	12/06/01	AMENDED TO TAKE ACCOUNT OF COMMENTS
A	02/06/01	ISSUED FOR COMMENT

BRIDGE PARAPETS LTD
 TOMNICH INDUSTRIAL ESTATE, MILLS OF ORR, REEF-BIRME, SECTLAND N/5 7UA
 TEL: 444 108 1463 8703194 FAX: 444 108 1463 8703667
 E-MAIL: SALES@BRIDGE-PARAPETS.COM WEB: WWW.BRIDGE-PARAPETS.COM

DRAWN	CHECKED
CM	DM

DATE	SCALE
28/05/01	AS NOTED FOR A3

TITLE

GENERAL ARRANGEMENT OF:
BPL SERIES 150 ALUMINIUM PARAPET
 151(L/1.50/M) 152(N/1.50/M)
 153(N/1.50/B+W)

DRAWING NUMBER

BPL/100/3