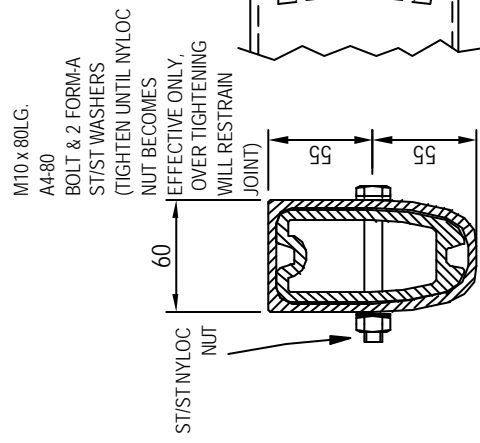
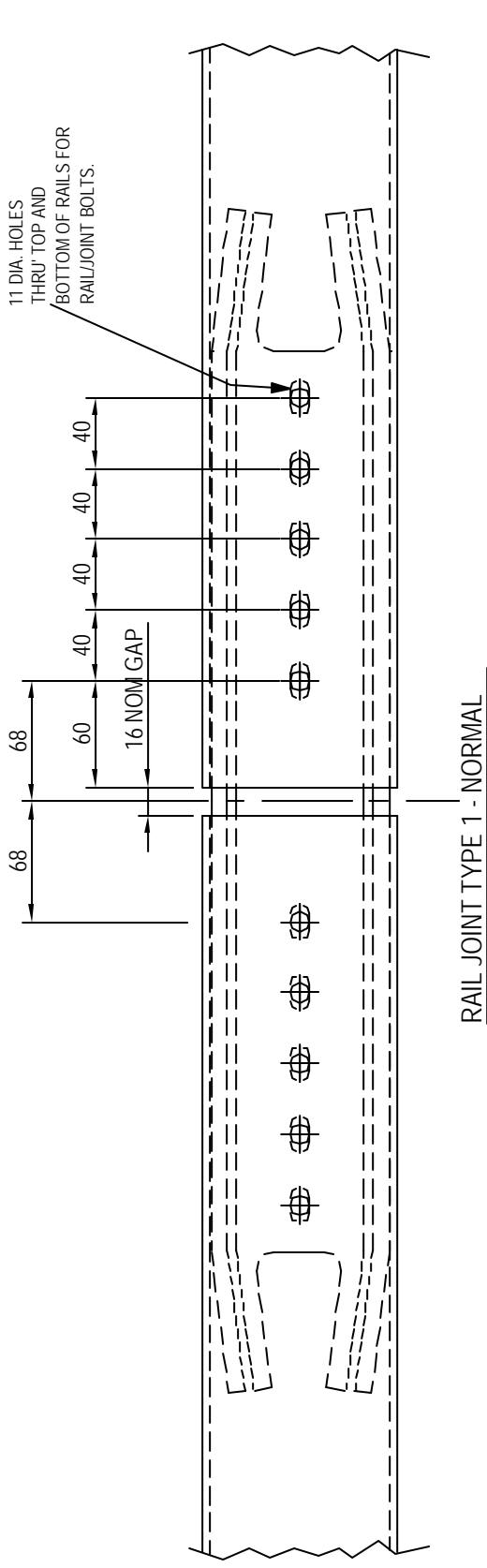
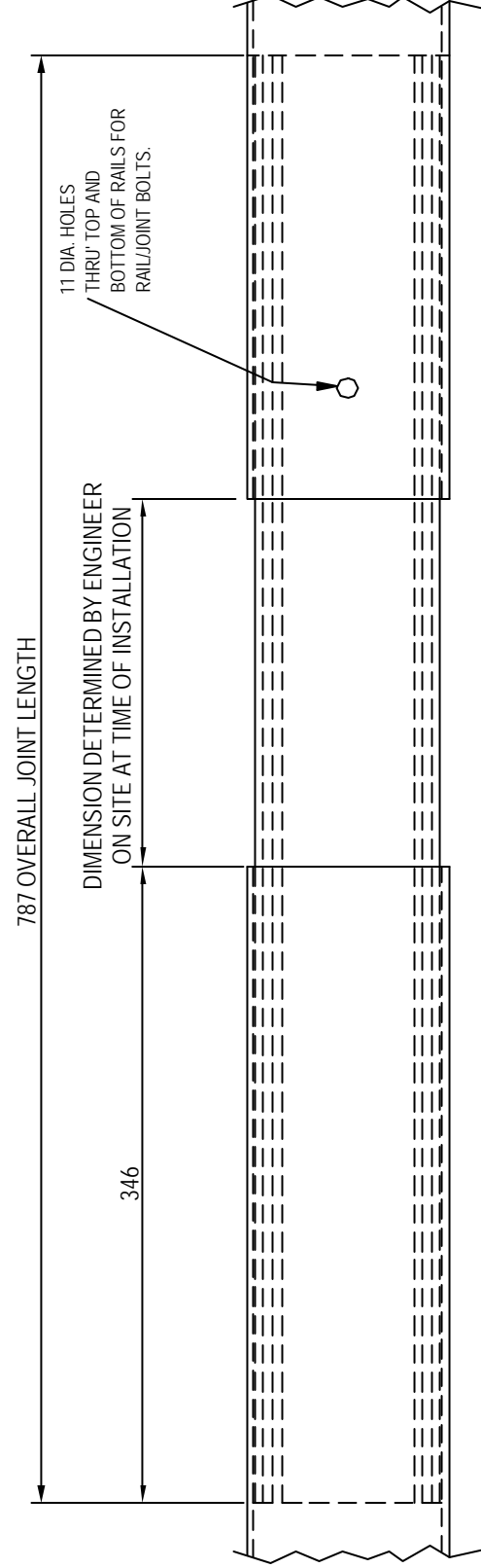


SYSTEM & COMPONENTS ARE COVERED BY DESIGN REGISTRATION & PATENT APPLICATIONS.



RAIL JOINT TYPE 2 - BRIDGE EXPANSION UP TO 50mm TOTAL MOVEMENT



RAIL JOINT TYPE 3 - FREE EXPANSION - 200mm MAX - 0mm MIN

"SEE BS6779 PT1: 1998 CLAUSE 6.5.1.2 a) 2)"

copyright note: this drawing is the property of bridge parapets ltd. the contents of this drawing may not be copied or reproduced without written permission from bridge parapets ltd.

NOTES

- 1) ALL EXTRUSIONS 6082-T6
- 2) FOR DRAWING LIST SEE DRG: BPL/100/100.

| | | | |
|------|----------|---------------------------------|--|
| | | | |
| B | 12/06/01 | JOINT AND RAIL SECTIONS ALTERED | |
| A | 02/06/01 | ISSUED FOR COMMENT | |
| REV. | DATE | AMENDMENT | |

BRIDGE PARAPETS LTD
 TAMBISH INDUSTRIAL ESTATE, MILL OF BRID, ROSSSHIRE, SCOTLAND IV8 7UA
 TEL: +44 (0) 1463 870104 FAX: +44 (0) 1463 870057
 E-MAIL: SALES@BRIDGE-PARAPETS.COM WWW.BRIDGE-PARAPETS.COM

| | |
|-------|---------|
| DRAWN | CHECKED |
| CM | DM |

| | |
|----------|-----------|
| DATE | SCALE |
| 03/05/01 | 1:4 ON A3 |

| | |
|-------|-----------------------------------|
| TITLE | RAIL DRILLING AND SETTING DETAILS |
|-------|-----------------------------------|

| | |
|----------------|-----------|
| DRAWING NUMBER | BPL/100/5 |
|----------------|-----------|