

copyright note: the property of bridge parapets Ltd. the contents of this drawing may not be copied or reproduced without written permission from bridge parapets Ltd.

NOTES

- 1) ALL MATERIALS S275JR UNLESS NOTED.
- 2) TO BE HOT DIP GALVANISED AFTER FABRICATION.
- 3) FOR CONNECTION TO ALUMINIUM PARAPET SEE DRG. BPL/100/7.
- 4) SEE DRG. BPL/100/100 FOR COMPLETE DRG. LIST.

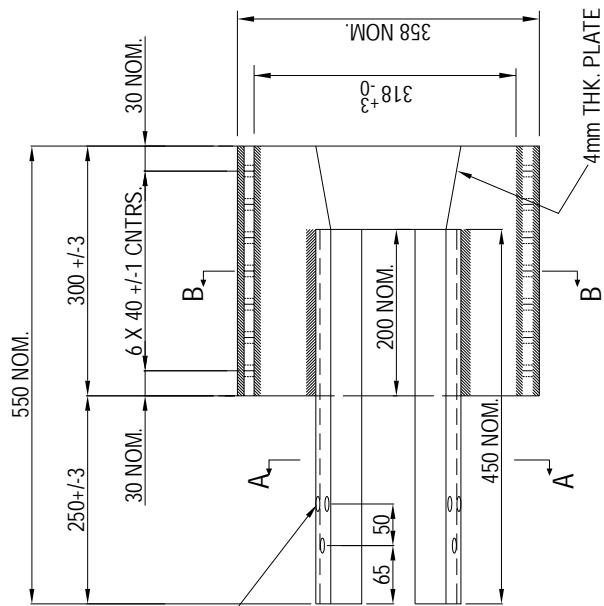
G	09/03/07	DIMENSION TOLERANCES ADDED.
F	23/05/06	DRAWING FRAME CHANGE
E	04/11/03	SLOPING PLATE ADDED
D	26/09/02	NOTES & WELD SIZES ALTERED
C	01/05/02	DIMS ALTERED TO SUIT NEW RAIL HEIGHTS
B	12/06/01	AMENDED TO COMMENTS
A	04/06/01	ISSUED FOR COMMENT
REV.	DATE	AMENDMENT

BRIDGE PARAPETS LTD
 TORCH INDUSTRIAL ESTATE, UNIT 09, ROXBOROUGH ROAD, SEEDLAND, W6 7UA
 TEL: +44 (0) 1462 870194 FAX: +44 (0) 1462 870667
 E-MAIL: SALES@BRIDGE-PARAPETS.COM WEB: WWW.BRIDGE-PARAPETS.COM

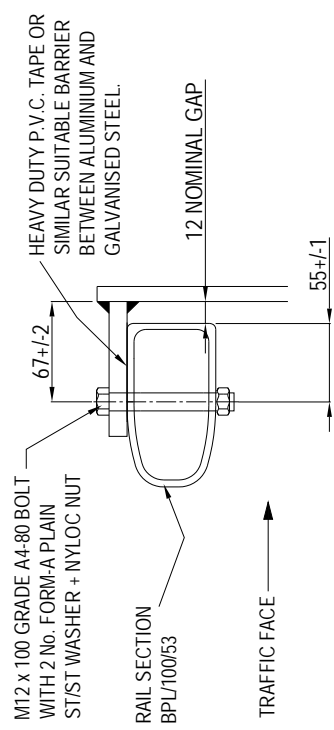
DRAWN	CM	CHECKED	DM
DATE	30/05/01	SCALE	REDUCED

TITLE
 COMPONENT DETAILS:
 50KN,330KN STRENGTH,
 SAFETY FENCE CONNECTOR.

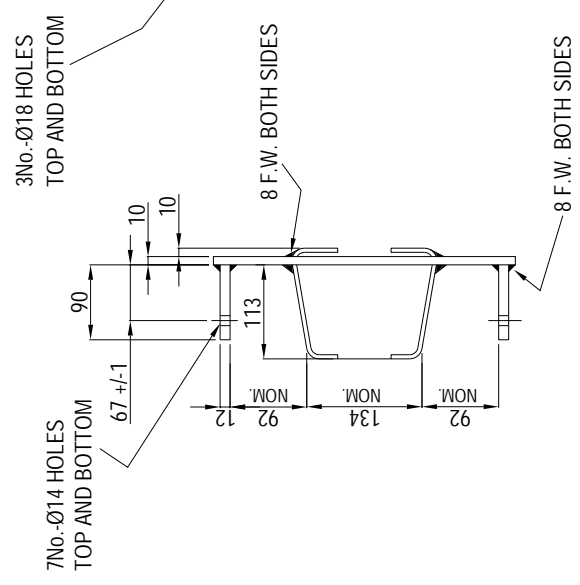
DRAWING NUMBER
BPL-100-59



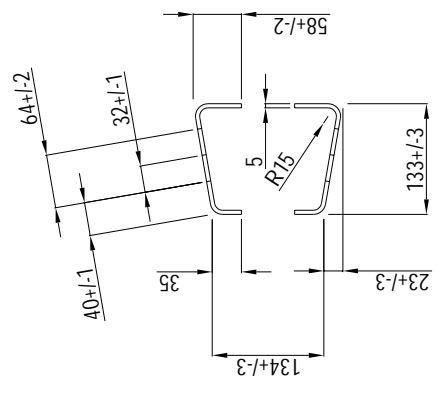
ELEVATION ON SAFETY FENCE CONNECTOR



ENLARGED DETAIL AT RAIL SECTION



SECTION B-B



SECTION A-A