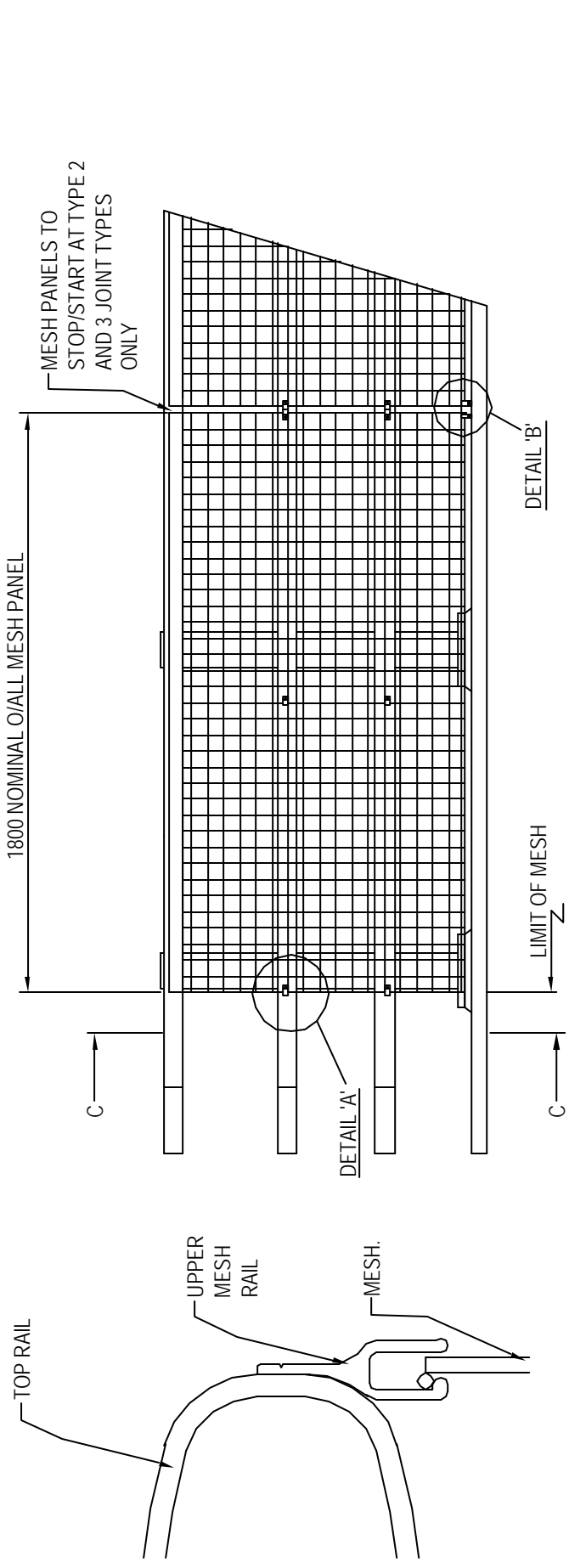
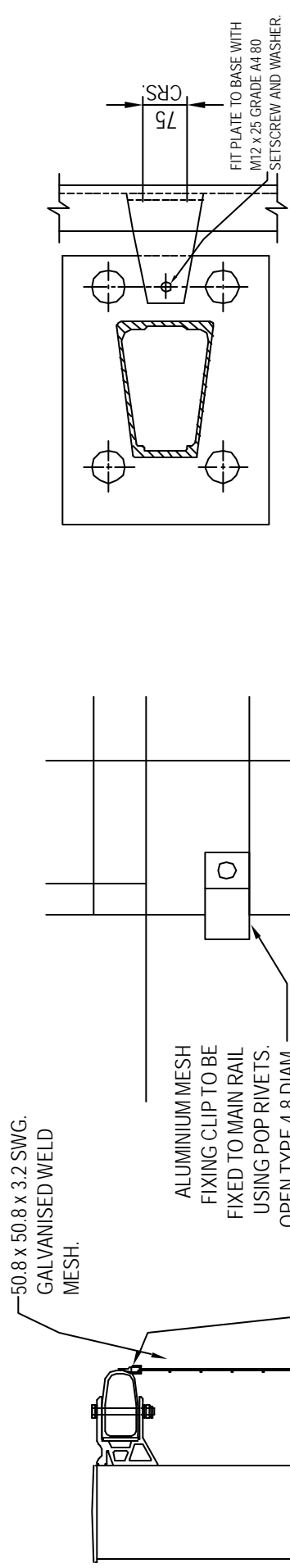


SYSTEM & COMPONENTS ARE COVERED BY DESIGN REGISTRATION & PATENT APPLICATIONS.

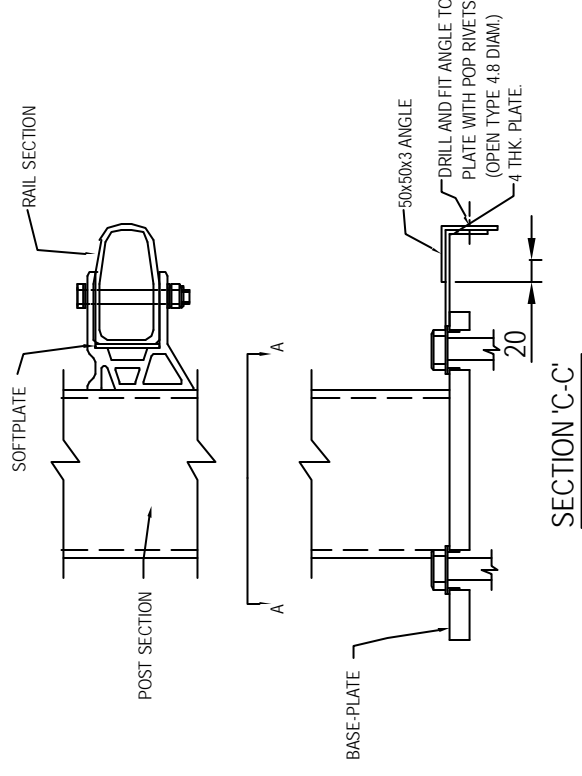


TYPICAL ELEVATION ON TRAFFIC FACE OF PARAPET

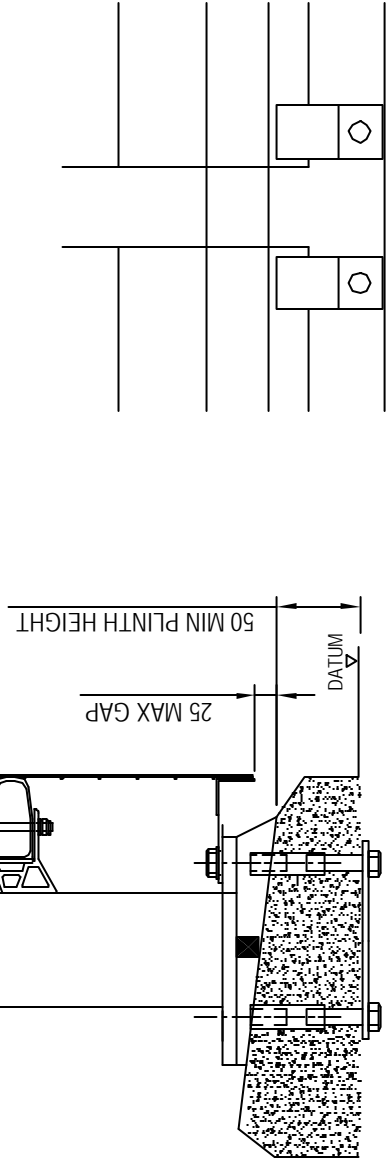
ENLARGED DETAIL OF UPPER MESH RAIL ATTACHMENT



SECTION 'A-A' - BOLTS AND WASHERS OMITTED FOR CLARITY



TYPICAL SECTION THROUGH PARAPET



'DETAIL B'

SECTION 'C-C'

copyright note: the property of bridge parapets ltd. the contents of this drawing may not be copied or reproduced without written permission from bridge parapets ltd.

NOTES

- 1) FOR DRAWING LIST AND MATERIAL SPECIFICATION SEE DRG. BPL/100/100.
- 2) FOR FULL DETAILS OF PARAPETS SEE GENERAL ARRANGEMENT DRAWINGS.
- 3) MESH PANELS ARE TO BE MILD STEEL AND HOT DIP GALVANISED. ANY OTHER SURFACE FINISH TO BE DETERMINED BY THE CONTRACTOR.
- 5) POP RIVETS TO BE ALUMINIUM 4.8 DIAM OPEN TYPE TUCKER TAP D x REQUIRED LENGTH, OR SIMILAR APPROVED.
- 6) FOR LOWER MESH RAIL JOINT DETAILS SEE DRG. BPL/100/14.

REV.	DATE	AMENDMENT
C	04/12/02	MINOR CORRECTIONS AND CLARIFICATIONS
B	09/05/02	MESH BRACKET ADDED. RAIL AND SPACER ALTERED.
A	21/06/01	ISSUED FOR COMMENT

BRIDGE PARAPETS LTD
 TEMISH INDUSTRIAL ESTATE, MILL OF DING, ROSSSHIRE, SCOTLAND IV6 7UA
 TEL: +44 (0) 1463 870194 FAX: +44 (0) 1463 870667
 E-MAIL: SALES@BRIDGE-PARAPETS.COM WEB: WWW.BRIDGE-PARAPETS.COM

DRAWN	CM	CHECKED	DM
DATE	08/06/01	SCALE	1:4 ON A3

TITLE
 MESH INFILL DETAILS:
 L/1.00/M N/1.00/M

DRAWING NUMBER
 BPL/100/8