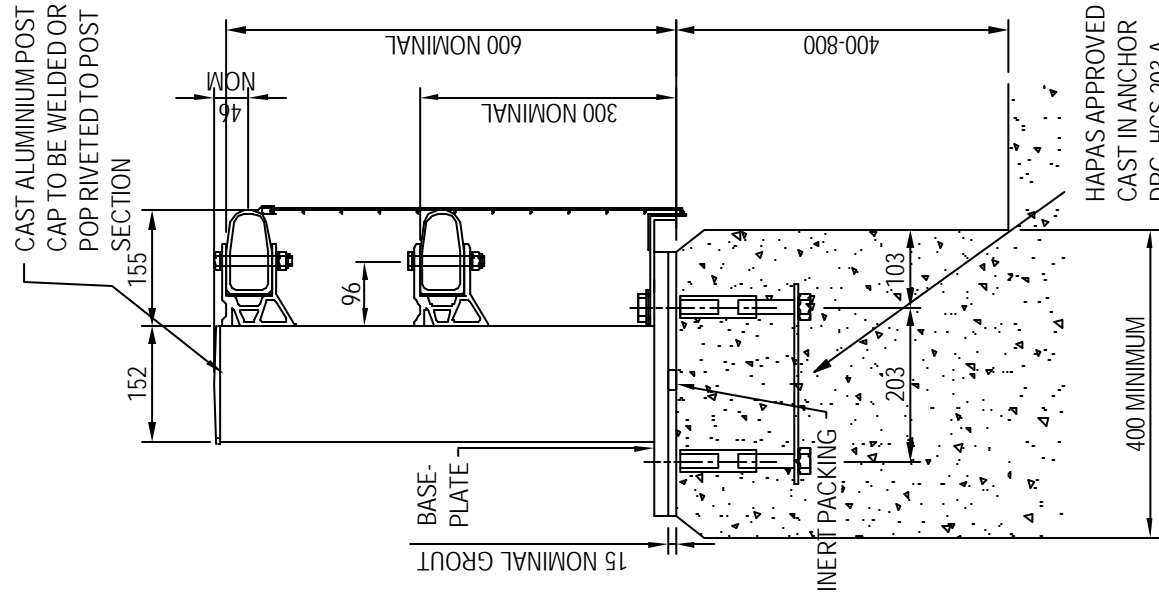
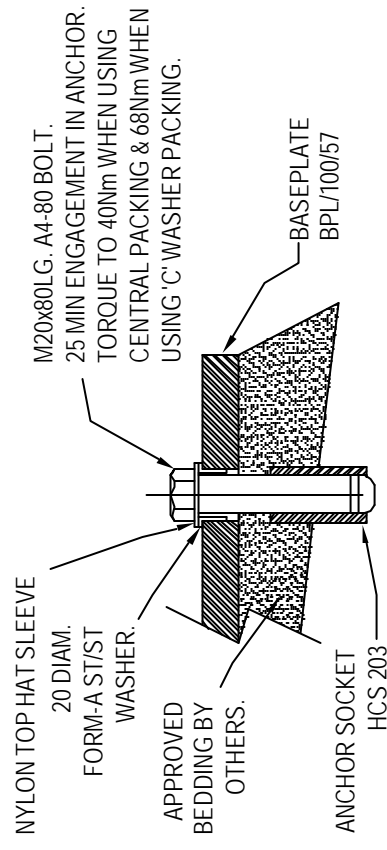


SYSTEM & COMPONENTS ARE COVERED BY DESIGN REGISTRATION & PATENT APPLICATIONS.



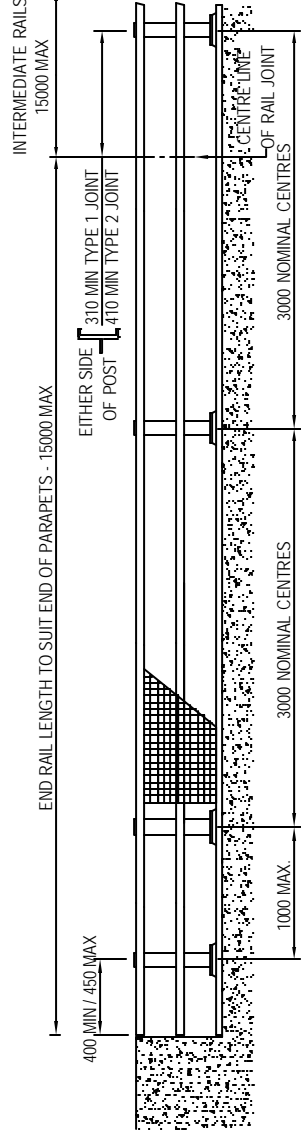
PARAPET SECTION - SCALE 1:10



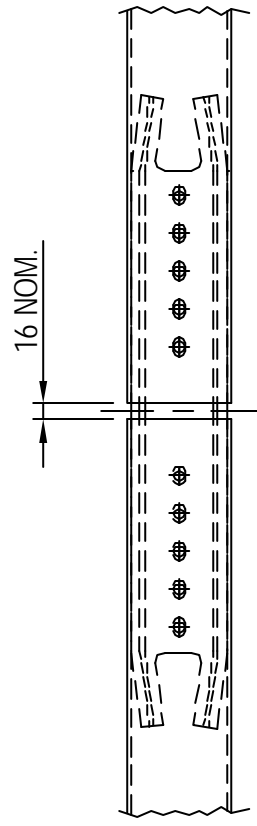
HOLDING DOWN BOLT INFORMATION- SCALE 1:4

DESIGNED TO MEET THE REQUIREMENTS OF BS6779 PART 3 1994 NORMAL CONTAINMENT

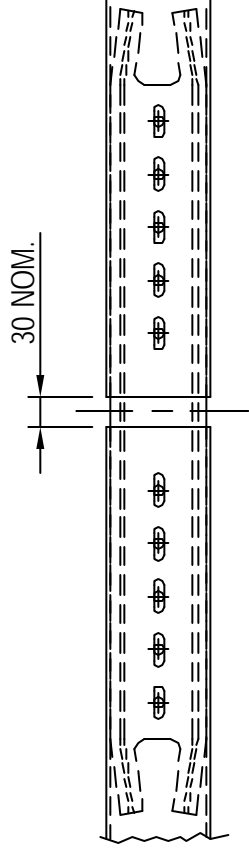
BASEPLATE DETAIL - SCALE 1:10



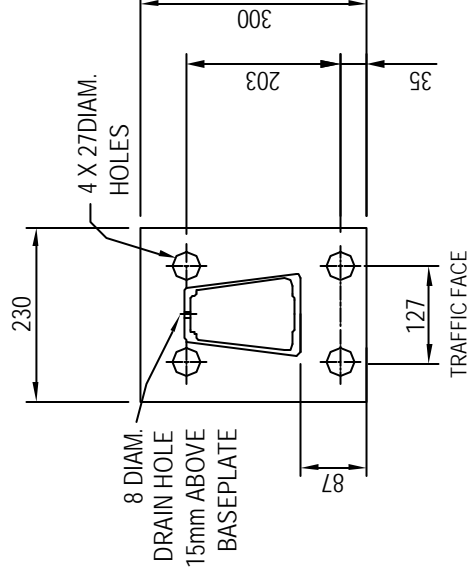
TYPICAL ELEVATION ON FACE OF PARAPET



RAIL JOINT TYPE 1 - NORMAL



RAIL JOINT TYPE 2 - BRIDGE EXPANSION UP TO 50mm TOTAL MOVEMENT



BASEPLATE DETAIL - SCALE 1:10

copyright note: the property of bridge parapets ltd. the contents of this drawing may not be copied or reproduced without written permission from bridge parapets ltd.

NOTES

- 1) ALL MATERIALS AND WELDING SHALL COMPLY WITH THE REQUIREMENTS OF BS6779 PART 3.
- 2) UNDERSIDE OF BASEPLATE TO BE GIVEN 2 COATS OF FACTORY APPLIED ALKALI RESISTANT BITUMASTIC PAINT.
- 3) IDENTIFICATION PLATES TO BE ATTACHED AS PER REQUIREMENT OF BS6779 PART 3.
- 4) ALL BOLTS AND NUTS TO A4 CLASS 80 STAINLESS STEEL TO CURRENT BS/EN STANDARDS.
- 5) ALL ALUMINIUM EXTRUSIONS TO BE 6082-T6 OR OTHER APPROVED BY BPL.
- 6) RAILS CAN BE SITE/SHOP CURVED TO SUIT SPECIFIC APPLICATIONS.
- 7) FOR FULL JOINT DETAIL SEE DRG. BPL/100/5.
- 8) ALL MILL FINISH ALUMINIUM.

REV.	DATE	AMENDMENT

BRIDGE PARAPETS LTD
 TONIGH INDUSTRIAL ESTATE, MUIB OF DORB, ROSSSHIRE, SCOTLAND IV8 7JJA
 TEL: +44 (0) 1463 870194 FAX: +44 (0) 1463 870867
 E-MAIL: SALES@BRIDGE-PARAPETS.COM WEB: WWW.BRIDGE-PARAPETS.COM

DRAWN	CHECKED
CM	DM
DATE	SCALE
07/11/02	AS NOTED FOR A3

TITLE
 GENERAL ARRANGEMENT OF:
 BPL SERIES 600 ALUMINIUM PARAPET
 (WITH MESH)

DRAWING NUMBER
BPL/600/2