

copyright note: the property of bridge parapets Ltd. the contents of this drawing may not be copied or reproduced without written permission from bridge parapets Ltd.

- NOTES**
- 1) FOR DRAWING LIST AND MATERIAL SPECIFICATION SEE DRG. BPL/200/200.
 - 2) FOR FULL DETAILS OF PARAPETS SEE GENERAL ARRANGEMENT DRAWINGS.
 - 3) MESH PANELS ARE TO BE MILD STEEL AND HOT DIP GALVANISED. ANY OTHER SURFACE FINISH TO BE DETERMINED BY THE CONTRACT.
 - 4) POP RIVETS TO BE ALUMINIUM Ø 4.8 OPEN TYPE TUCKER TAP D x REQUIRED LENGTH, OR SIMILAR APPROVED.
 - 5) FOR LOWER MESH RAIL JOINT DETAILS SEE DRG. BPL/200/14.

A	31/01/07	ISSUED FOR COMMENT
REV.	DATE	AMENDMENT

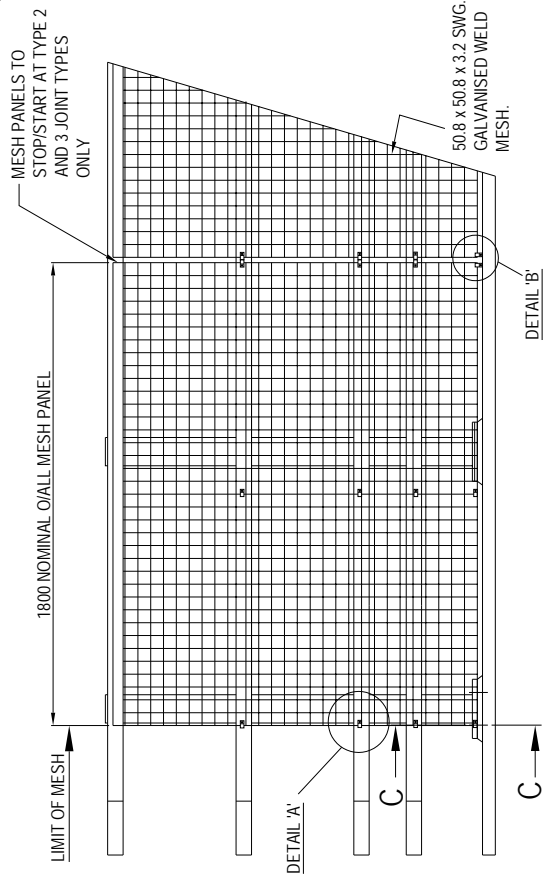
BRIDGE PARAPETS LTD
 TONGH INDUSTRIAL ESTATE, UNIT 0903, ROPPERHIRE, SCOTLAND, N/6 7UA
 TEL: +44 (0) 1463 870194 FAX: +44 (0) 1463 870667
 E-MAIL: SALES@BRIDGE-PARAPETS.COM WEB: WWW.BRIDGE-PARAPETS.COM

DRAWN PA
 CHECKED DM

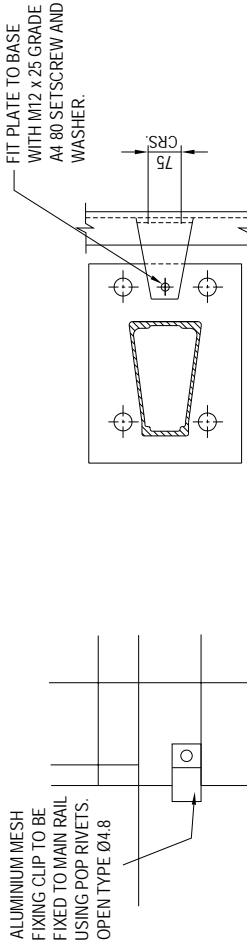
DATE 31/01/07
 SCALE N.T.S.

TITLE
 MESH INFILL DETAILS
 N/1.25/M N/1.50/M L/1.50/M
 (BPL 200 SYSTEM)

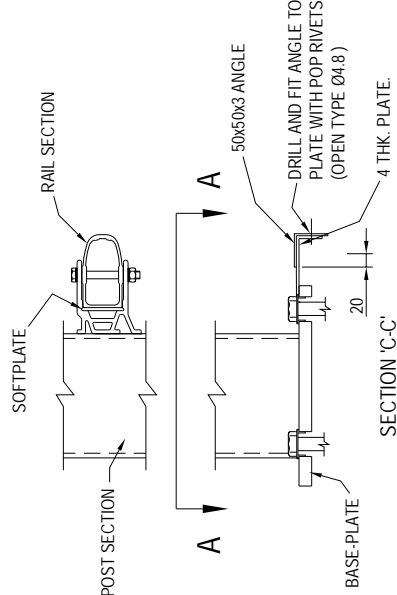
DRAWING NUMBER
BPL/200/10



TYPICAL ELEVATION ON TRAFFIC FACE OF PARAPET



SECTION 'A-A' - BOLTS AND WASHERS OMITTED FOR CLARITY



TYPICAL SECTION THROUGH PARAPET

