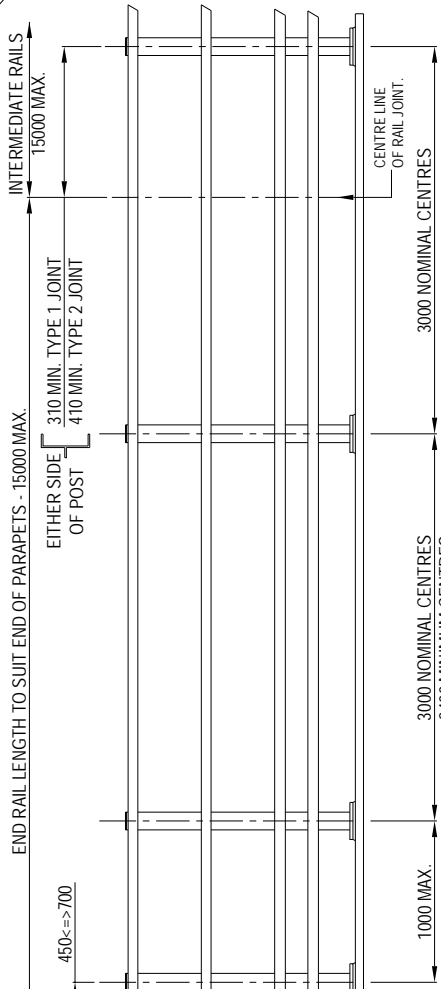
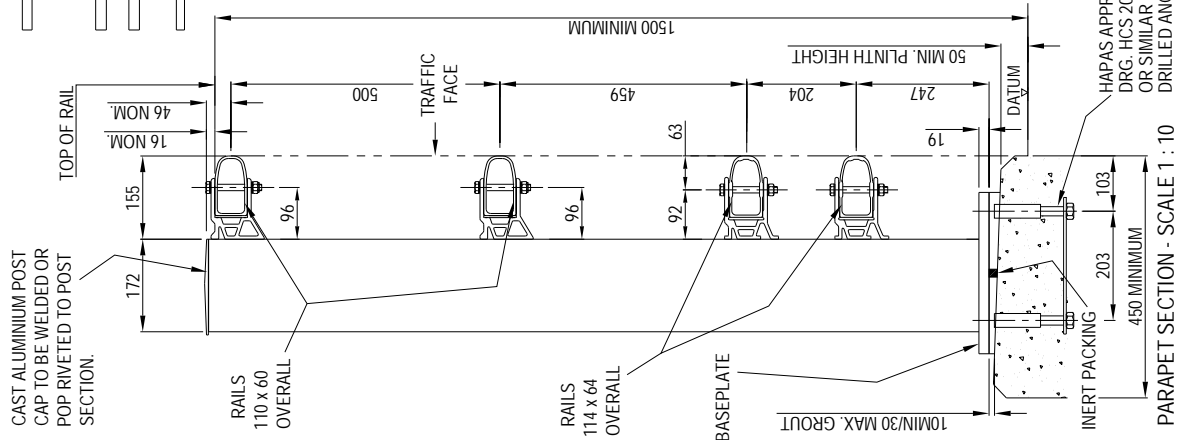
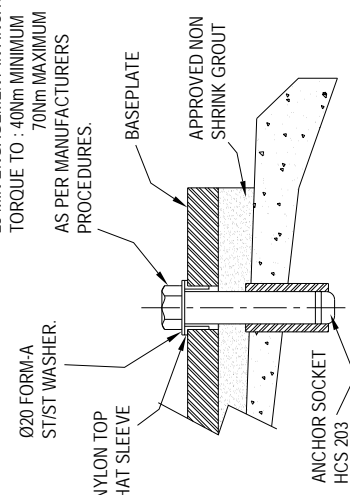


FOR TERMINATION DETAILS
SEE DRG. BPL/2007



TYPICAL ELEVATION ON FACE OF PARAPET

M20x80LG. A4-80 BOLT/SETSCREW.
25 MIN ENGAGEMENT IN ANCHOR.
TORQUE TO : 40Nm MINIMUM
70Nm MAXIMUM
AS PER MANUFACTURERS
PROCEDURES.

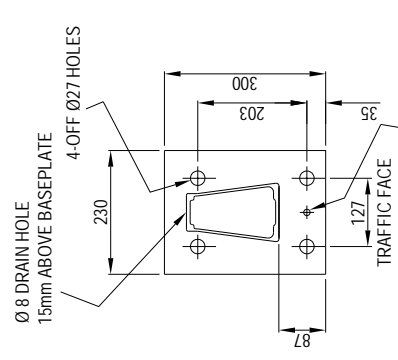


HOLDING DOWN BOLT INFORMATION - SCALE 1:4

POST INFORMATION	= 33.1
ULTIMATE UNFACTORED DESIGN MOMENT OF RESISTANCE OF POST	= 58.07
CO-EXISTENT SHEAR (KN)	= 1.48
ULTIMATE SHEAR FORCE RESISTANCE OF POST (KN)	
BS EN 1317 PARTS 1 & 2	
TEST DESIGNATION	= TB32 + TB11
CONTAINMENT LEVEL	= N2
WORKING WIDTH RANKING	= W3
IMPACT SEVERITY LEVEL	= C

DRILL & TAP M12 THROUGH HOLE FOR MESH BRACKET FIXING. FIT WITH PLASTIC PLUG.

BASEPLATE DETAIL - SCALE 1:10



copyright note: the property of bridge parapets Ltd. the contents of this drawing may not be copied or reproduced without written permission from bridge parapets Ltd.

NOTES

- 1) ALL MATERIALS AND WELDING SHALL COMPLY WITH THE RELEVANT STANDARDS.
- 2) UNDERSIDE OF BASEPLATE TO BE GIVEN 2 COATS OF FACTORY APPLIED BITUMASTIC PAINT TO BS 3416.
- 3) IDENTIFICATION PLATES TO BE ATTACHED TO MANUFACTURERS SPECIFICATIONS.
- 4) ALL BOLTS AND NUTS TO A4 CLASS 80 STAINLESS STEEL TO CURRENT BS/EN STANDARDS.
- 5) FOR DRG.5 LIST SEE DRG. BPL/200/200.
- 6) FOR INFILL DETAILS SEE DRG. BPL/200/8.
- 7) ALL ALUMINIUM EXTRUSIONS TO BE 6082-T6.
- 8) RAILS CAN BE SITE /SHOP CURVED TO SUIT SPECIFIC APPLICATIONS.

REV.	A	26/01/07	ISSUED FOR COMMENT
REV.		DATE	AMENDMENT

BRIDGE PARAPETS LTD
 TORCH INDUSTRIAL ESTATE, MILL OF ORR, BORDBURGH, SCOTLAND, N/6 7JLA
 TEL: +44 (0) 1463 870194 FAX: +44 (0) 1463 870667
 E-MAIL: SALES@BRIDGE-PARAPETS.COM WEB: WWW.BRIDGE-PARAPETS.COM

DRAWN	PA	CHECKED	DM
DATE	24/01/07	SCALE	AS NOTED FOR A3

TITLE
 GENERAL ARRANGEMENT OF
 BPL SERIES 250 ALUMINIUM PARAPET
 251(L/1.50M) 252(N/1.50M)
 253(N/1.50/B+W)

DRAWING NUMBER
 BPL/200/3

SYSTEM & COMPONENTS ARE COVERED BY DESIGN REGISTRATION & PATENT APPLICATIONS.

DESIGNED AND TESTED TO MEET THE REQUIREMENTS OF EN1317 PARTS 1 & 2