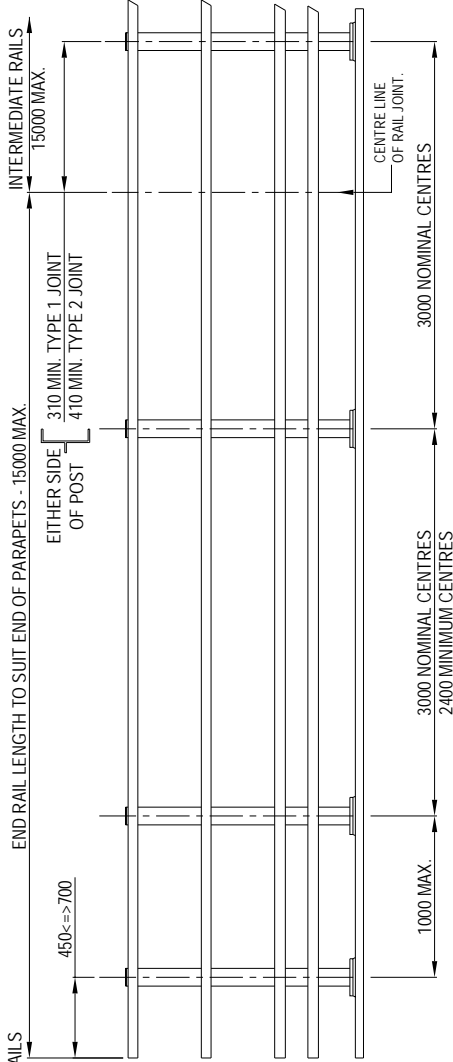
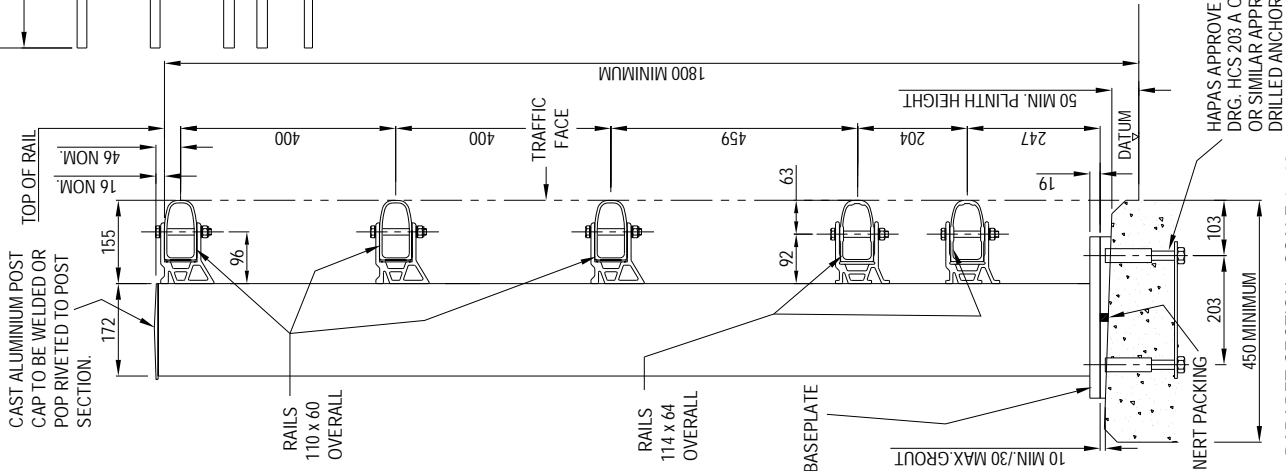


FOR TERMINATION DETAILS
SEE DRG. BPL/2007



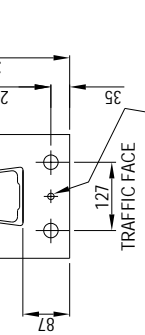
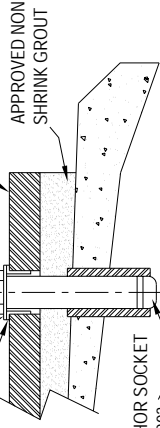
TYPICAL ELEVATION ON FACE OF PARAPET

M20x80 LG. A4-80 BOLT/SETSCREW.
25 MIN ENGAGEMENT IN ANCHOR.
TORQUE TO : 40Nm MINIMUM
70Nm MAXIMUM
AS PER MANUFACTURERS
PROCEDURES.

Ø20 FORM-A
ST/ST WASHER.

NYLON TOP
HAT SLEEVE

BASEPLATE



BASEPLATE DETAIL - SCALE 1:10

HOLDING DOWN BOLT INFORMATION - SCALE 1:4

POST INFORMATION	
ULTIMATE UNFACTORED DESIGN MOMENT OF RESISTANCE OF POST AT UNDERSIDE OF BASE (KNM)	= 33.1
CO-EXISTENT SHEAR FORCE RESISTANCE OF POST (KN)	= 58.07
ULTIMATE SHEAR FORCE RESISTANCE OF POST (KN)	= 148
BS EN 1317 PARTS 1 & 2	
TEST DESIGNATION	= TB32 + TB11
CONTAINMENT LEVEL	= N2
WORKING WIDTH RANKING	= W3
IMPACT SEVERITY LEVEL	= C

DESIGNED AND TESTED TO MEET THE REQUIREMENTS OF EN1317 PARTS 1 & 2

Copyright note: the property of bridge parapets Ltd. the contents of this drawing may not be copied or reproduced without written permission from bridge parapets Ltd.

NOTES

- 1) ALL MATERIALS AND WELDING SHALL COMPLY WITH THE RELEVANT STANDARDS.
- 2) UNDERSIDE OF BASEPLATE TO BE GIVEN 2 COATS OF FACTORY APPLIED BITUMASTIC PAINT TO BS 3416.
- 3) IDENTIFICATION PLATES TO BE ATTACHED TO MANUFACTURERS SPECIFICATIONS.
- 4) ALL BOLTS AND NUTS TO A4 CLASS 80 STAINLESS STEEL TO CURRENT BS/EN STANDARDS.
- 5) FOR DRG.S LIST SEE DRG. BPL/200/200.
- 6) FOR INFILL DETAILS SEE DRG. BPL/200/8.
- 7) ALL ALUMINIUM EXTRUSIONS TO BE 6082-T6.
- 8) RAILS CAN BE SITE/SHOP CURVED TO SUIT SPECIFIC APPLICATIONS.

REV.	A	29/01/07	ISSUED FOR COMMENT
REV.		DATE	AMENDMENT

BRIDGE PARAPETS LTD
 TORCH INDUSTRIAL ESTATE, NUIS OF DRG, ROBBINS ROAD, SEELAND, W/6 7UA
 TEL: +44 (0) 1463 876194 FAX: +44 (0) 1463 876667
 E-MAIL: SALES@BRIDGE-PARAPETS.COM WEB: WWW.BRIDGE-PARAPETS.COM

DRAWN	PA	CHECKED	DM
DATE	25/01/07	SCALE	AS NOTED FOR A3

TITLE
 GENERAL ARRANGEMENT OF
 BPL SERIES 280 ALUMINIUM PARAPET
 281(L/1.80/m.w.) 282(N/1.80/M)
 283(I/1.80/M)

DRAWING NUMBER
 BPL/200/4