

copyright note: the property of bridge parapets Ltd. the contents of this drawing may not be copied or reproduced without written permission from bridge parapets Ltd.

NOTES

- 1) FOR DRAWING LIST SEE DRG. BPL/200/200.
- 2) SPACERS CAN BE HORIZONTAL OR ANGLED EITHER IN SHOP OR ON SITE TO SUIT SITE GRADIENTS.
- 3) SOFTPLATES SECURED WITH 10g. CSK. STAINLESS STEEL SELF TAPPING SCREW.

B	22/05/08	SOFTPLATE DRG.No.CHANGE
A	27/07/07	ISSUED FOR COMMENT
REV.	DATE	AMENDMENT

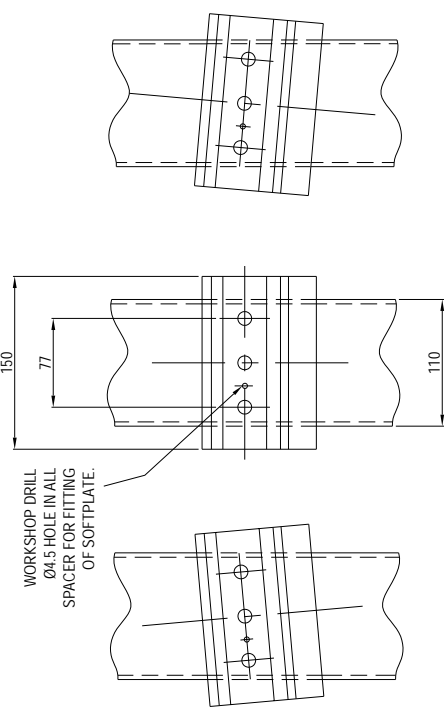
BRIDGE PARAPETS LTD
 TOMBH INDUSTRIAL ESTATE, MILL OF ORS, ROSSBARRIE, SCOTLAND, IV6 7JL
 TEL: +44 (0) 1463 870194 FAX: +44 (0) 1463 870667
 E-MAIL: SALES@BRIDGE-PARAPETS.COM WEB: WWW.BRIDGE-PARAPETS.COM

DRAWN PA **CHECKED** DM

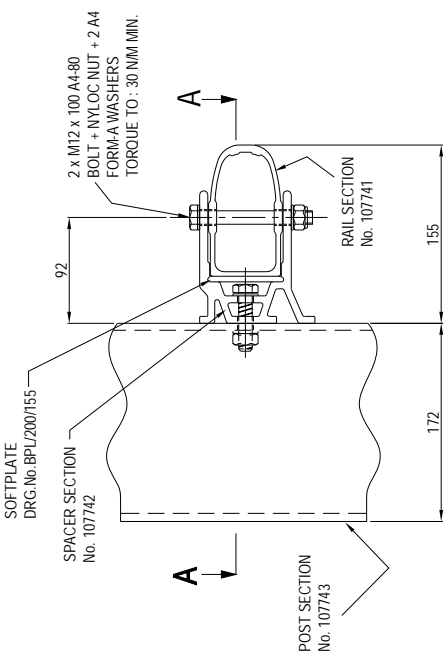
DATE 26/01/07 **SCALE** 1:4.5 ON A3

TITLE
 SPACER TO POST AND RAIL
 CONNECTION DETAILS (BPL 200 SYSTEM)

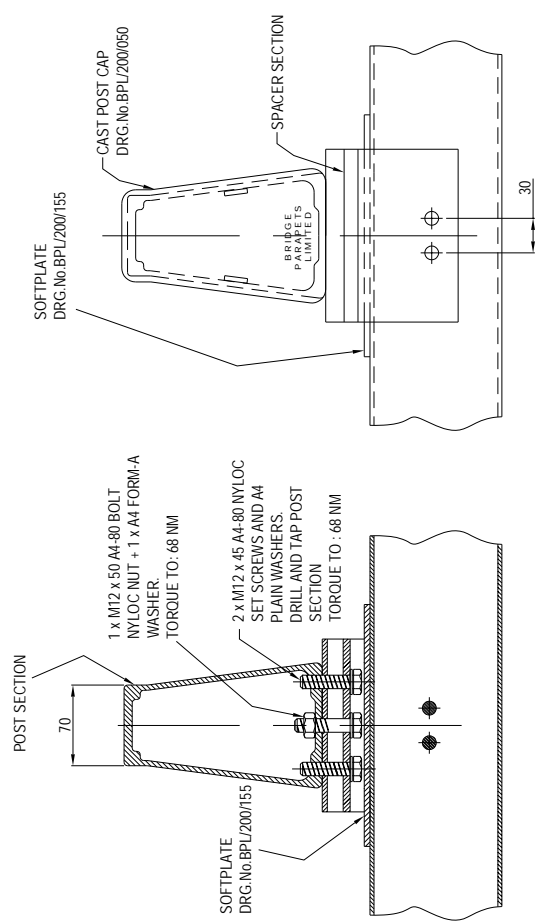
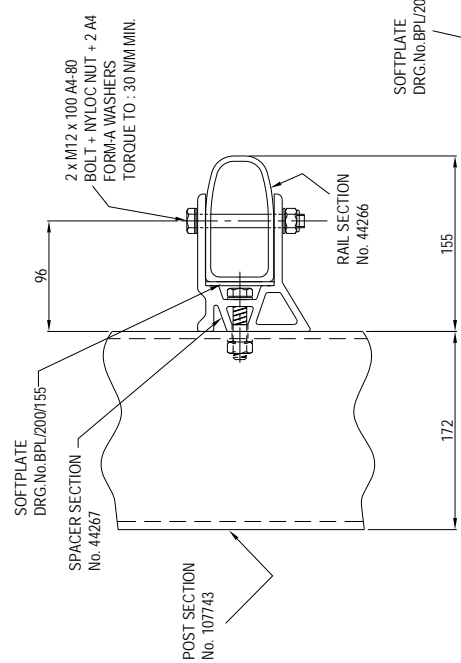
DRAWING NUMBER
 BPL/200/6



SIDE VIEW ON BOTTOM TWO RAILS



SIDE VIEW ON TOP RAILS



PLAN ON ASSEMBLY
 (WITH POST CAP FITTED)

SECTION 'A-A'
 (TYP. ALL RAILS)

SYSTEM & COMPONENTS ARE COVERED BY DESIGN REGISTRATION & PATENT APPLICATIONS.